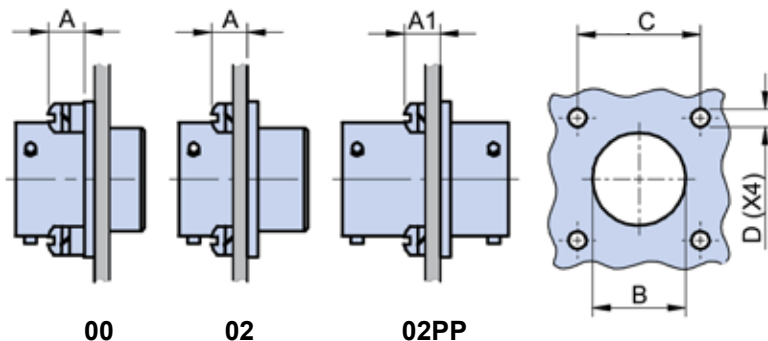


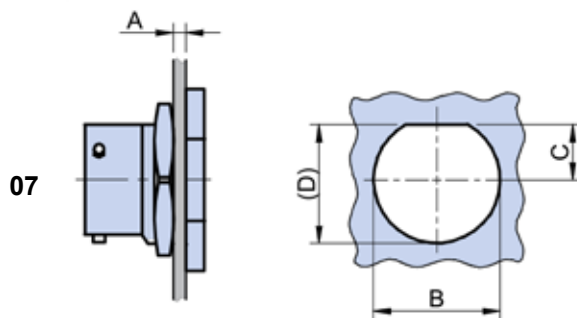
Glenair IPT Series Bayonet-Lock Signal Connectors (MIL-C-26482 Type) Fastener Height Requirements and Panel Cutout Dimensions

For front panel mount square flange connectors (00) the "A" dimension indicates the measured maximums that mounting hardware can stand proud from the connector flange before it will interfere with connector mating. For rear box mount square flange connectors (02) the same "A" column maximum dimensions apply, but in this case the measurement taken includes the thickness of the panel wall or box (so the mounting hardware needs to be correspondingly shorter). Column "A1" defines the maximums for the 02PP bulkhead feedthrough product before mounting hardware interferes with mating.



Panel thickness and panel cutout for type 00, 02, 02PP connectors

Shell size	A max	A1 max	B +0.2 -0	C ±0.1	D ±0.12
8	2.2	5.54	15.1	15.10	3.04
10	2.2	5.54	18.3	18.25	3.04
12	2.2	5.54	20.6	20.60	3.04
14	2.2	5.54	23.0	23.00	3.04
16	2.2	5.54	24.6	24.60	3.04
18	2.2	5.54	27.0	27.00	3.04
20	5.4	8.74	29.4	29.35	3.04
22	5.4	8.74	31.8	31.75	3.04
24	5.4	7.9	34.9	34.90	3.73



Panel thickness and panel cutout for type 07 connectors

Shell size	A min ÷ max	B +0.25 -0	C +0 -0.25	D
8	1.6 - 3.2	14.5	6.55	13.8
10	1.6 - 3.2	17.7	8.15	17.0
12	1.6 - 3.2	22.5	9.85	21.1
14	1.6 - 3.2	25.6	11.50	24.3
16	1.6 - 3.2	28.8	13.10	27.5
18	1.6 - 3.2	32.0	14.70	30.7
20	1.6 - 6.3	35.2	16.30	33.9
22	1.6 - 6.3	38.3	17.95	37.1
24	1.6 - 6.3	41.5	19.25	40.0