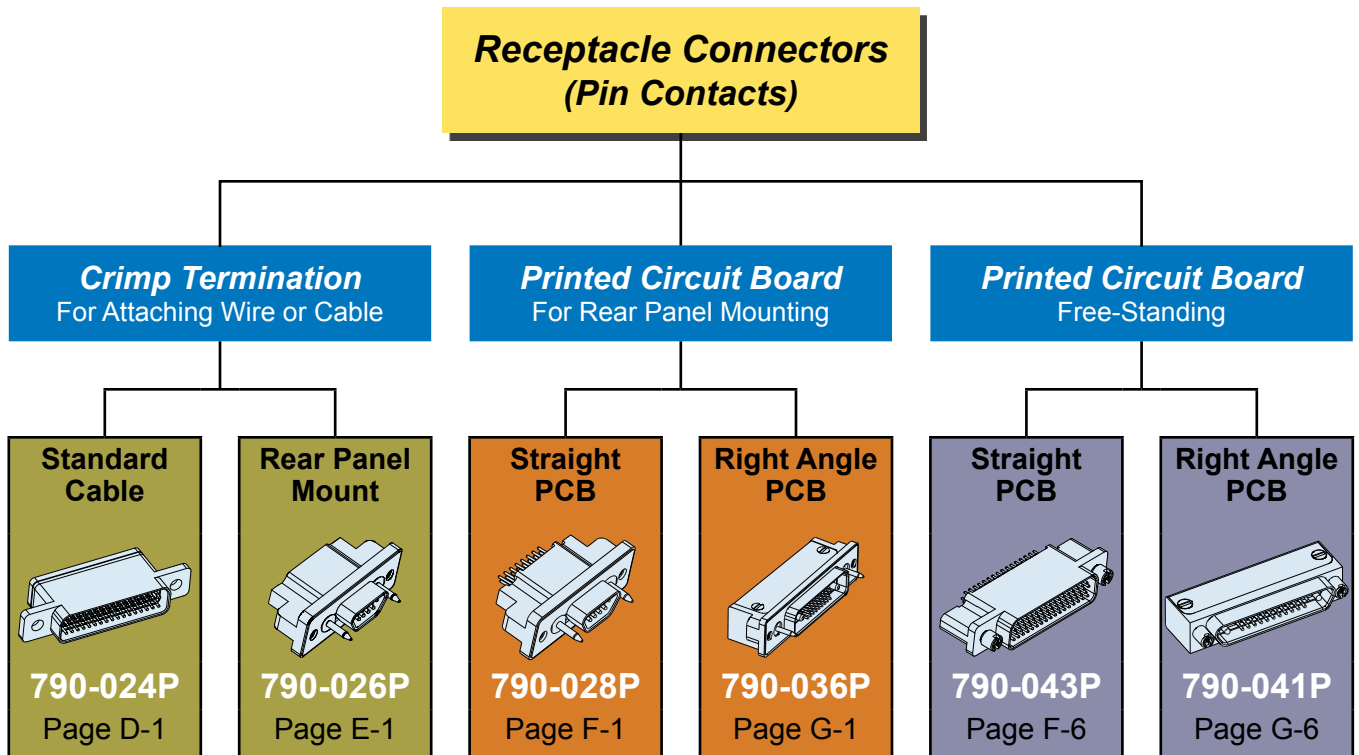
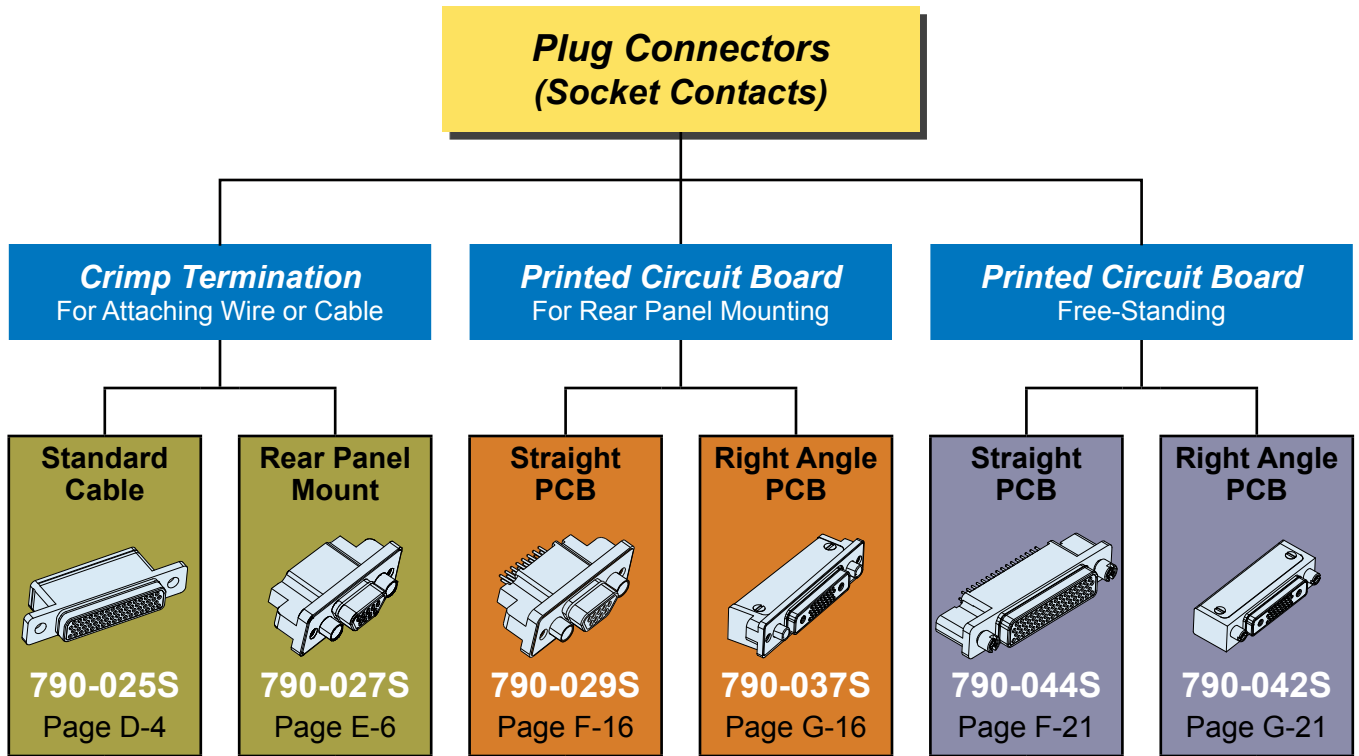


Series 79 Micro-Crimp Connector Selection Guide



Dimensions in inches (millimeters) and are subject to change without notice.