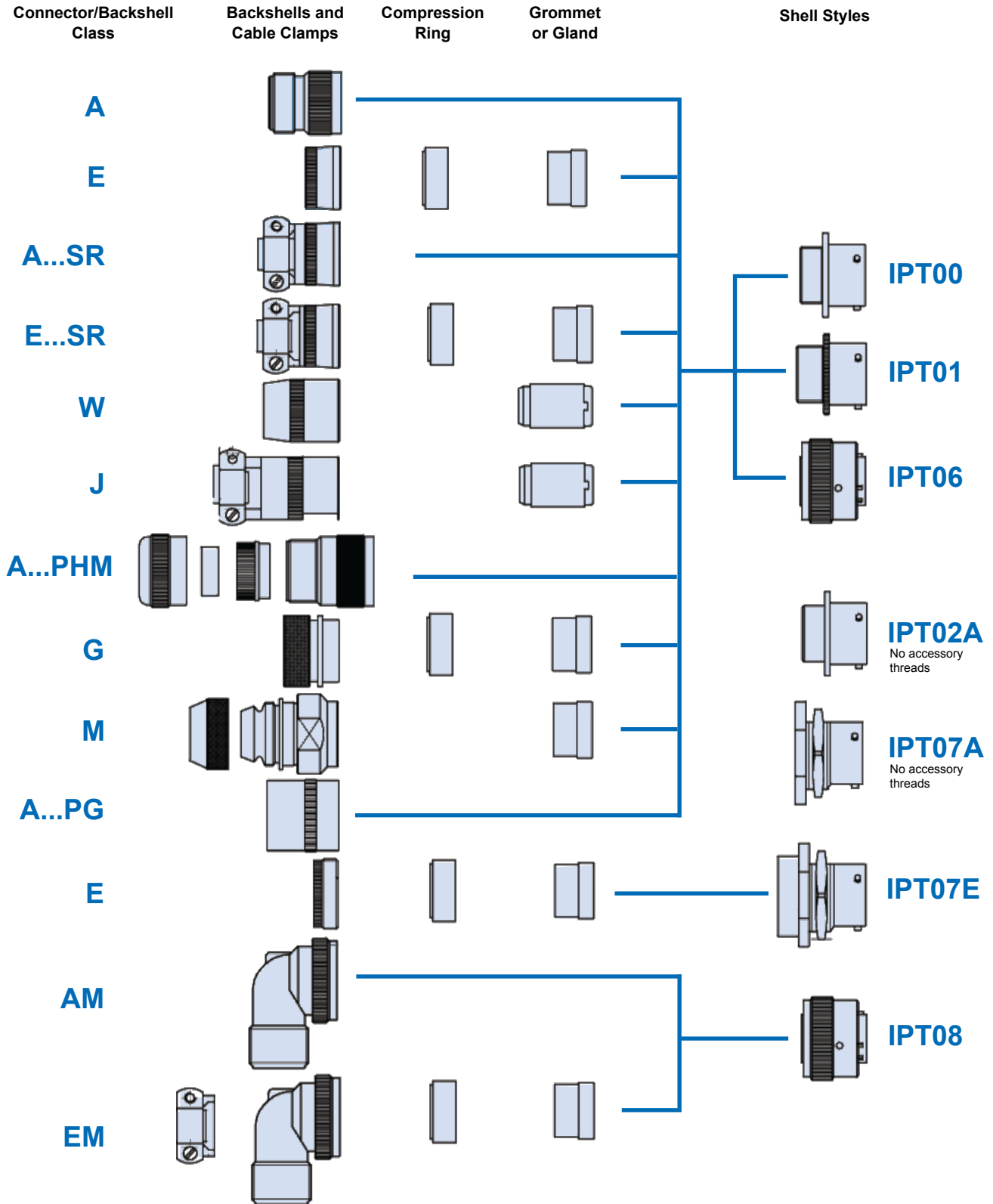




Glenair IPT Series Bayonet-Lock Signal Connectors (MIL-C-26482 Type) Styles and Classes



**Glenair IPT Series
Bayonet-Lock Signal Connectors (MIL-C-26482 Type)
Styles and Classes**



Glenair IPT Series products are typically supplied in termination assemblies that include the chosen style of connector together with a specific backshell accessory.

A: For general-duty applications. This non-environmental connector-backshell assembly is supplied with a general-duty backshell for the attachment of additional accessories such as MS 3057 cable clamps (ordered separately). Non-environmental: no grommet supplied.

E: For general-duty environmental applications using individual wires. Environmental sealing is provided through an individual wire sealing grommet in the connector and an overall cable grommet seal in the backshell. No cable clamp supplied.

A...SR: Same as class A, but with cable clamp and bushing for cable protection.

E...SR: Same as class E, but with cable clamp and bushing for cable protection.

W: Long backshell to ease assembly. Incorporates metal sleeve and gland seal to provide overall cable sealing for improved environmental protection. No cable clamp provided.

J: Same as class W, but with cable clamp for improved strain relief.

A...PHM: Connector with quick and easy to assemble PHM cable gland backshell. Supplied with different diameter sleeves to accommodate varying cable sizes.

G: Plug with straight backshell for heatshrink boot.

M: Plug with removable backshell for screen termination and heatshrink boot.

A...PG: Plug with straight PG threaded backshell for attachment of PG cable glands in compliance with DIN 40430.

AM: Non-environmental with 90° backshell for termination of EMI shielding.

EM: Environmental, includes rear wire sealing grommet and 90° backshell for EMI shield termination.

Also Available (Not Shown in Style and Class Graphic):

A...PHM EMI67: Watertight connector and PHM cable gland backshell, resistant to IP67, suitable for EMI shielded cables. Supplied with different diameter sleeves to accommodate varying cable diameters.