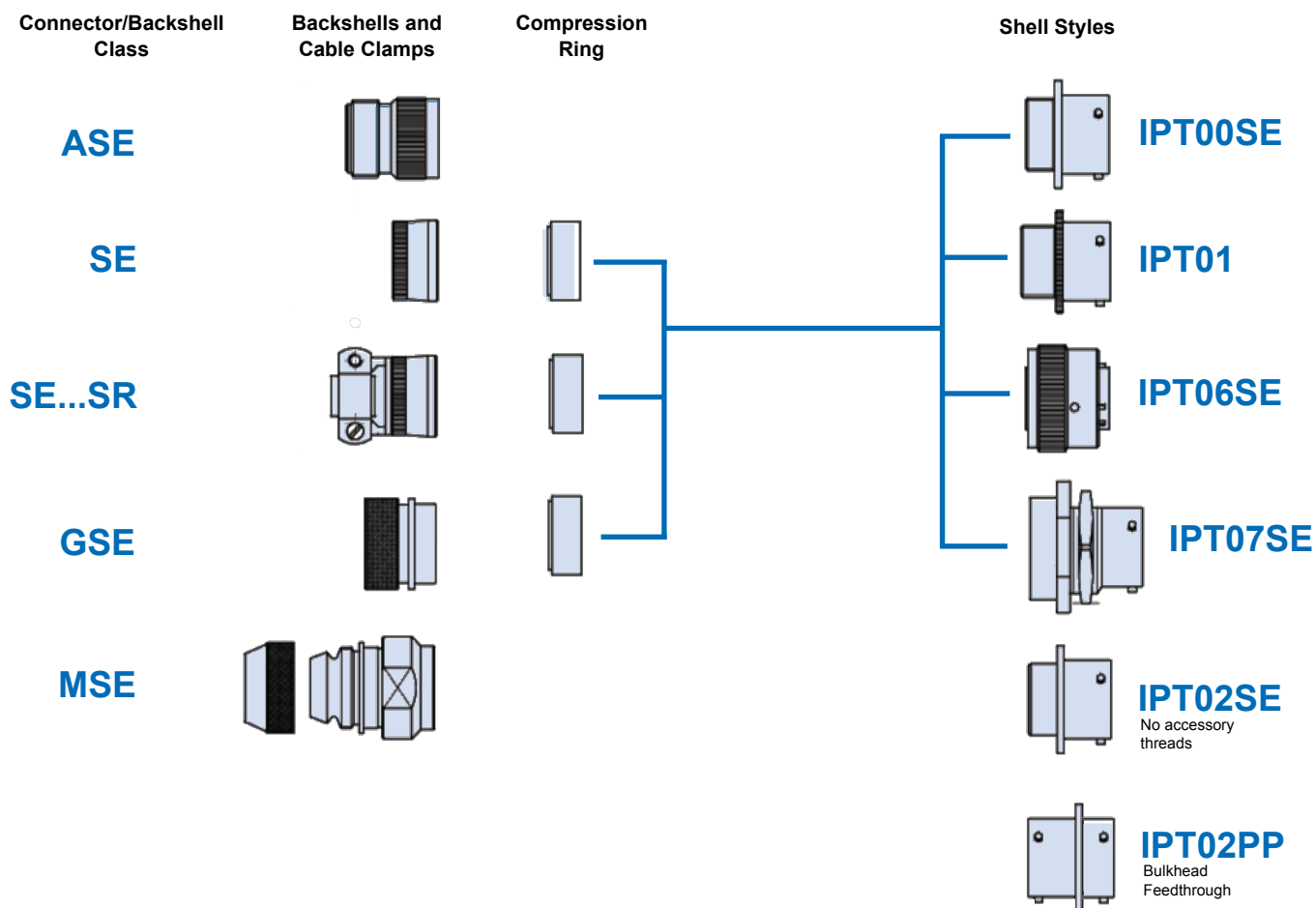




Glenair IPT SE Series Bayonet-Lock High Performance Crimp Contact (MIL-C-26482 Type) Styles and Classes



ASE: For general-duty applications. This connector-backshell assembly is supplied with a general-duty backshell for the attachment of additional accessories such as MS 3057 cable clamps (ordered separately). Individual wire sealing grommet supplied.

SE: For general-duty environmental applications using unjacketed wire bundles. Additional environmental sealing is provided through an individual wire sealing grommet in the connector and an overall cable grommet seal in the backshell. No cable clamp supplied.

SE...SR: Same as class SE, but with cable clamp and bushing for strain-relief.

GSE: Plug with straight backshell for heatshrink boot.

MSE: Plug with backshell for EMI shield termination and/or heatshrink boot.